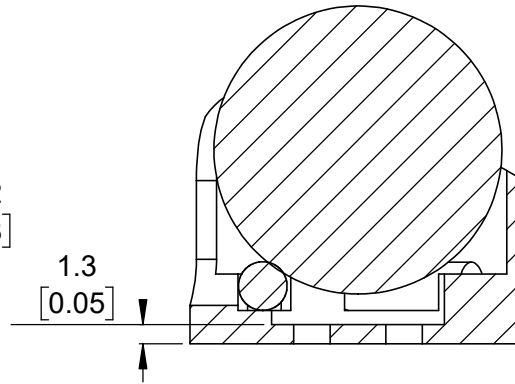
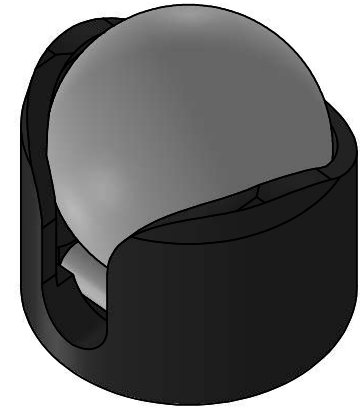


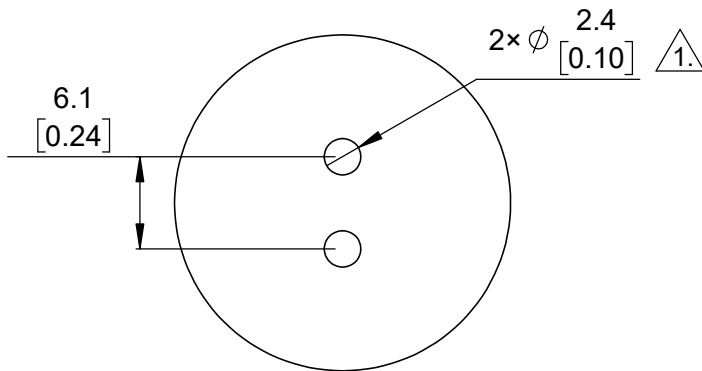
① Ball caster profile view
Scale 2:1



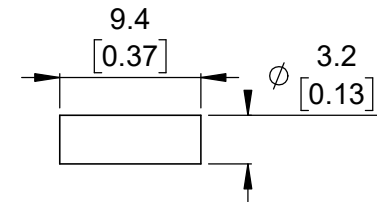
② Ball caster section view
Scale 2:1



③ Ball caster isometric view
Scale 2:1



④ Ball caster bottom view
Scale 2:1




⑤ Dowel Pin
Scale 2:1

1.
2.

Intended for #2 and M2 screws.
To get the specified scale, select 100% in print settings.

<https://www.pololu.com/product/954>

Name: Pololu Ball Caster with 3/4" Plastic Ball		Item number: 954
Drawing date: 15 March 2019	Dev code: cst03a	 © 2019 Pololu Corporation
Units: mm [mil]	Material: ABS & POM	